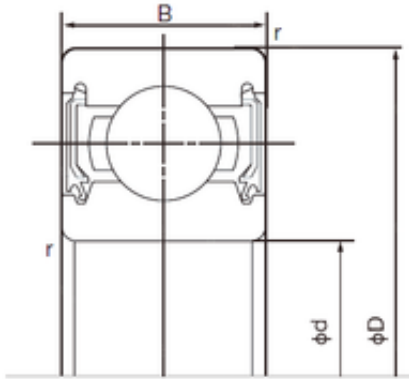




China abec 7 Bearings Supplier



6802-2nse Bearing 2D drawings and 3D CAD models

NACHI High Precision 6802-2nse 6802nse 6803-2nse Ball Bearing for Instrumentation

Bearing No. 6802-2nse

Size	15x24x5 mm
Bore Diameter	15 mm
Outer Diameter	24 mm
Width	5 mm
d	15 mm
D	24 mm
B	5 mm
C	5 mm
r min.	0.3 mm
da min.	17 mm
Da max.	22 mm
ra max.	0.3 mm
Weight	0.007 Kg
Basic dynamic load rating (C)	2,08 kN
Basic static load rating (C0)	1,26 kN