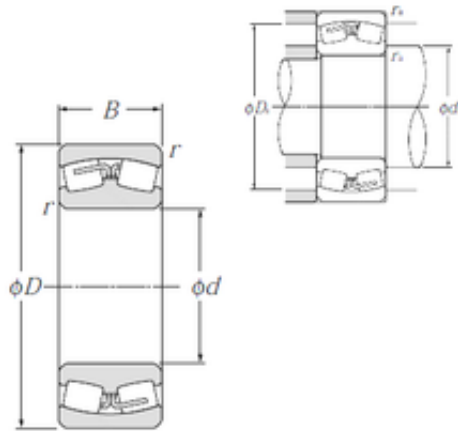




China abec 7 Bearings Supplier

23184B NTN Spherical Roller Bearings



Bearing No. 23184B

Size	420x700x224 mm
Bore Diameter	420 mm
Outer Diameter	700 mm
Width	224 mm
d	420 mm
D	700 mm
B	224 mm
C	224 mm
r min.	6 mm
da min.	448 mm
Da max.	672 mm
ra max.	5 mm
Weight	354 Kg
Basic dynamic load rating (C)	5 200 kN
Basic static load rating (C0)	9 950 kN
(Grease) Lubrication Speed	410 r/min
(Oil) Lubrication Speed	530 r/min
Calculation factor (e)	0,32
Calculation factor (Y0)	2,07
Calculation factor (Y1)	2,11
d2	511 mm
D1	610.6 mm
rs min	6 mm
Number of lubrication holes	8
b	33 mm
k	20 mm

23184B Bearing 2D drawings and 3D CAD models



China abec 7 Bearings Supplier

e	0.32
Y1	2.11
Y2	3.15
Y0	2.07
Radial clearance class	CN
Dynamic load, C	5,200 kN
Static load, C0	9,950 kN
Fatigue limit load, Cu	686 kN
Nref	450 rpm
Nlim	750 rpm
Min operating temperature, Tmin	-40 ° C
Max operating temperature, Tmax	120 ° C
Characteristic cage frequency, FTF	0.44 Hz
Characteristic rolling element frequency, BSF	7.96 Hz
Characteristic outer ring frequency, BPF0	9.67 Hz
Characteristic inner ring frequency, BRFI	12.33 Hz
da min	446 mm
Da max	674 mm
ra max	5 mm