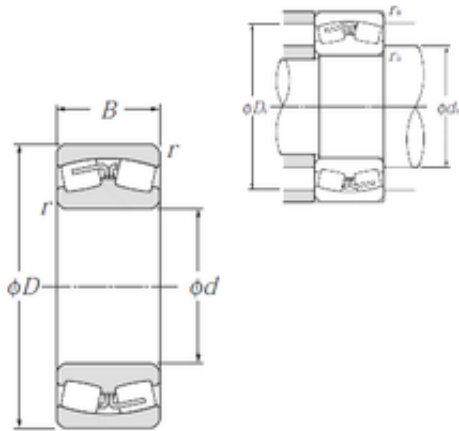




China abec 7 Bearings Supplier

24084B NTN Spherical Roller Bearings



Bearing No. 24084B

Size	420x620x200 mm
Bore Diameter	420 mm
Outer Diameter	620 mm
Width	200 mm
d	420 mm
D	620 mm
B	200 mm
C	200 mm
r min.	5 mm
da min.	442 mm
Da max.	598 mm
ra max.	4 mm
Weight	210 Kg
Basic dynamic load rating (C)	3 850 kN
Basic static load rating (C0)	8 450 kN
(Grease) Lubrication Speed	440 r/min
(Oil) Lubrication Speed	570 r/min
Calculation factor (e)	0,32
Calculation factor (Y0)	2,09
Calculation factor (Y1)	2,13

24084B Bearing 2D drawings and 3D CAD models